



DISTRICT OF COLUMBIA COURTS

FURNITURE SPECIFICATIONS

HEALTH UNIT

12.07.2016

TABLE OF CONTENTS

- I. INTERIOR DESIGN GUIDELINES
 - A. SPACE REQUIREMENTS
 - I. WORKSTATION STANDARDS
 - II. WORK STATION FINISHES
 - B. FURNITURE SPECIFICATION BY ITEM
 - C. FURNITURE SPECIFICATION BY ROOM



III. INTERIOR DESIGN GUIDELINES:

A. SPACE REQUIREMENTS

I. WORKSTATION STANDARDS



A. SPACE REQUIREMENTS

I. WORKSTATION STANDARDS

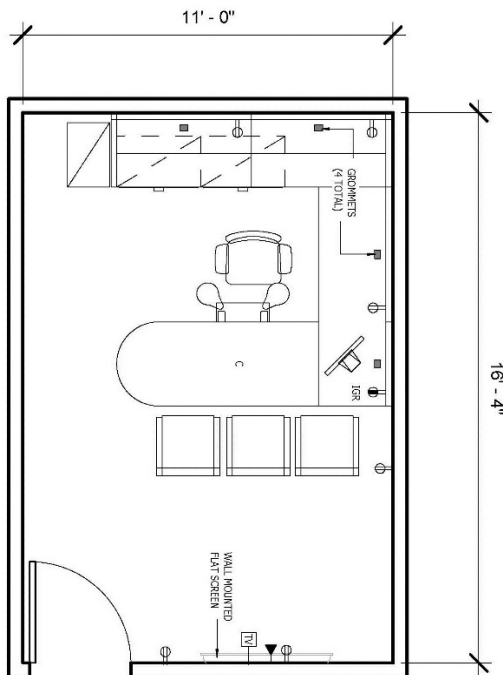
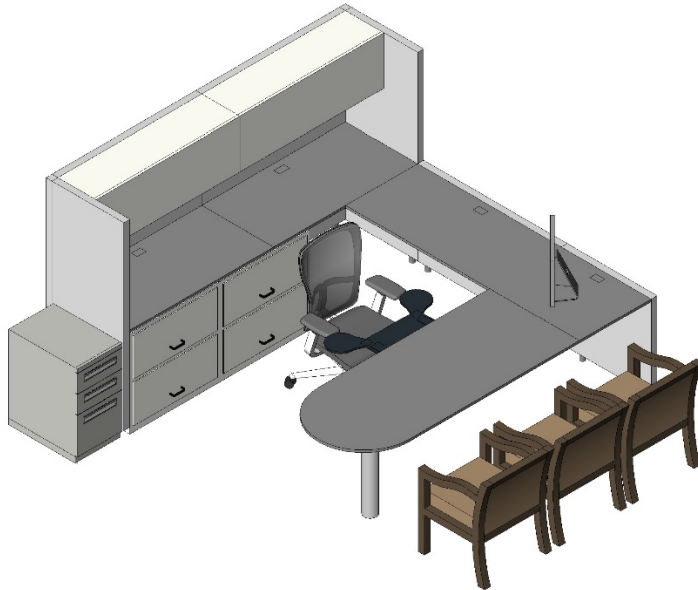
WORKSTATION STANDARDS SUMMARY FOR DISTRICT OF COLUMBIA COURTS

C	180 SF ENCLOSED OFFICE	DIVISION DIRECTOR	GRADE 15
	ENCLOSED OFFICE WITH SYSTEMS FURNITURE OR STANDARD FREESTANDING FURNITURE. SQUARE FOOTAGE MAY VARY DUE TO BUILDING CONSTRAINTS.		
D1	150 SF ENCLOSED OFFICE	DEPUTY DIVISION DIRECTORS	GRADE 15
	ENCLOSED OFFICE WITH SYSTEMS FURNITURE OR STANDARD FREESTANDING FURNITURE. SQUARE FOOTAGE MAY VARY DUE TO BUILDING CONSTRAINTS.		
D	125 SF ENCLOSED OFFICE	BRANCH CHIEFS, STAFF OFFICE DIRECTOR, SUPERVISORY PROBATION OFFICER, PROGRAM MANAGER	GRADES 13 - 14
	ENCLOSED OFFICE WITH SYSTEMS FURNITURE OR STANDARD FREESTANDING FURNITURE. SQUARE FOOTAGE MAY VARY DUE TO BUILDING CONSTRAINTS.		
E	100 SF WORKSTATIONS	SECTION CHIEF, HIGH LEVEL PROFESSIONAL, PROBATION OFFICER (ALL GRADE LEVELS)	GRADES 12 - 13
	ENCLOSED OFFICE WITH SYSTEMS FURNITURE OR ENCLOSED SYSTEMS FURNITURE WORKSTATION.		
F	60 SF WORKSTATIONS	NON-SUPERVISORY PROFESSIONAL	GRADES 9-11
	SEMI-ENCLOSED SYSTEMS FURNITURE WORKSTATION.		
G	45 SF WORKSTATIONS	CLERICAL	GRADES 6-8
	SEMI-ENCLOSED WORKSTATION ACCOMMODATES PC WORKSTATION, LASER PRINTER, STORAGE TOWER, AND STATIONARY PEDESTAL.		
GT	45 SF WORKSTATIONS WITH TRANSACTION COUNTER	RECEPTION-CLERICAL	GRADES 6-8
	SEMI-ENCLOSED WORKSTATION ACCOMMODATES PC WORKSTATION, LASER PRINTER, STORAGE TOWER, AND STATIONARY PEDESTAL.		
H	30 SF WORKSTATION	INTERN OR CONTRACTOR	
	SEMI-ENCLOSED SYSTEMS FURNITURE WORKSTATION, ACCOMMODATES PC AND STORAGE TOWER.		



*PLEASE NOTE: ADDITIONAL POWER AND DATA MAY BE REQUIRED FOR WORKSTATIONS WHERE THE INDIVIDUAL REQUIRES TWO COMPUTER SYSTEMS.

WORKSTATION C



PLAN

SCALE 1/4" = 1'-0"

SIZE

+/- 180 SQUARE FEET

POSITION

DIVISION DIRECTOR
GRADE 15

DESCRIPTION

20.5 LINEAR FEET OF WORK SURFACE
8 LINEAR FEET OF OVERHEAD STORAGE
11 LINEAR FEET OF FILING
ERGONOMIC HIGH-BACK DESK CHAIR
(3) WOOD FRAME GUEST CHAIRS

POWER REQUIREMENTS

(4) CONVENIENCE DUPLEX OUTLETS
(1) ISOLATED GROUND DUPLEX OUTLET FOR COMPUTER EQUIPMENT
(1) DUPLEX OUTLET FOR TASK LIGHT
(1) DUPLEX OUTLET FOR TV

DATA/TELECOM

(2) DATA CONNECTIONS
(2) TELEPHONE CONNECTIONS
(1) CABLE TV CONNECTION

LIGHTING

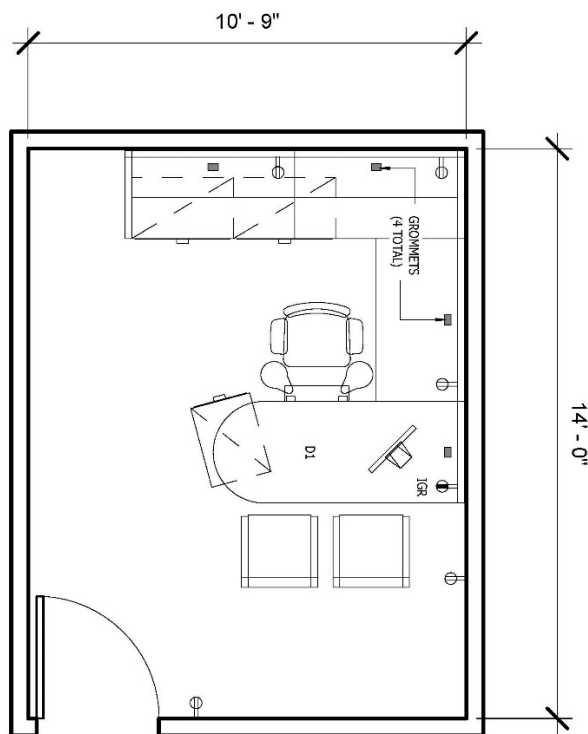
8 LINEAR FEET OF TASK LIGHTING BELOW OVERHEAD STORAGE

CONSTRUCTION UPGRADES

DRYWALL PARTITIONS ARE TO BE SLAB TO SLAB, SOUND ATTENUATED.



WORKSTATION D1



PLAN

SCALE $\frac{1}{4}'' = 1'-0''$

SIZE

+/- 150 SQUARE FEET

POSITION

DEPUTY DIVISION DIRECTOR

GRADE 15

DESCRIPTION

18 LINEAR FEET OF WOOD WORK SURFACE
 8 LINEAR FEET OF WOOD OVERHEAD STORAGE
 11 LINEAR FEET OF WOOD FILING
 ERGONOMIC HIGH-BACK DESK CHAIR
 (2) WOOD FRAME GUEST CHAIRS

POWER REQUIREMENTS

(4) CONVENIENCE DUPLEX OUTLETS
 (1) ISOLATED GROUND DUPLEX OUTLET FOR
 COMPUTER EQUIPMENT
 (1) DUPLEX OUTLET FOR TASK LIGHT

DATA/TELECOM

(2) DATA CONNECTIONS
 (1) TELEPHONE CONNECTION

LIGHTING

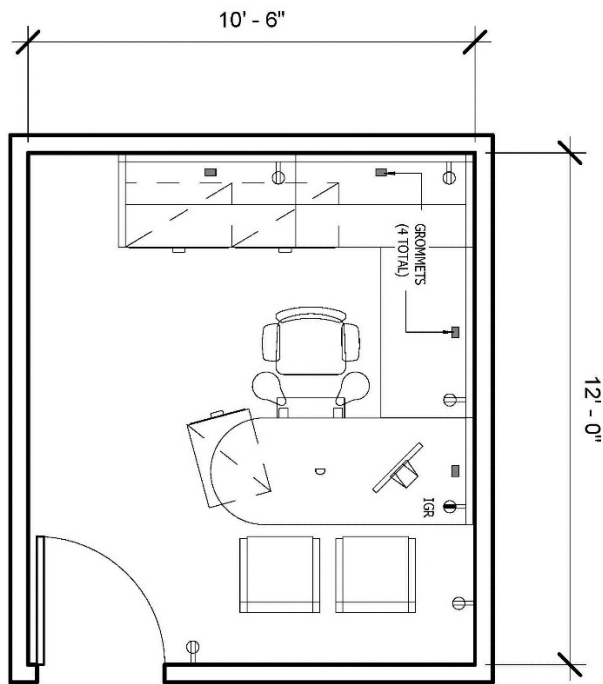
8 LINEAR FEET OF TASK LIGHTING BELOW
 OVERHEAD STORAGE

CONSTRUCTION UPGRADES

DRYWALL PARTITIONS ARE TO BE SLAB TO SLAB,
 SOUND ATTENUATED.



WORKSTATION D



PLAN

SCALE $\frac{1}{4}'' = 1'-0''$

SIZE

+/- 125 SQUARE FEET

POSITION

BRANCH CHIEF
 STAFF OFFICE DIRECTOR
 SUPERVISORY PROBATION OFFICER
 PROGRAM MANAGER
 GRADES 13-14

DESCRIPTION

18 LINEAR FEET OF WOOD WORK SURFACE
 8 LINEAR FEET OF WOOD OVERHEAD STORAGE
 11 LINEAR FEET OF WOOD FILING
 ERGONOMIC HIGH-BACK DESK CHAIR
 (2) WOOD FRAME GUEST CHAIRS

POWER REQUIREMENTS

(4) CONVENIENCE DUPLEX OUTLETS
 (1) ISOLATED GROUND DUPLEX OUTLET FOR
 COMPUTER EQUIPMENT
 (1) DUPLEX OUTLET FOR TASK LIGHT

DATA/TELECOM

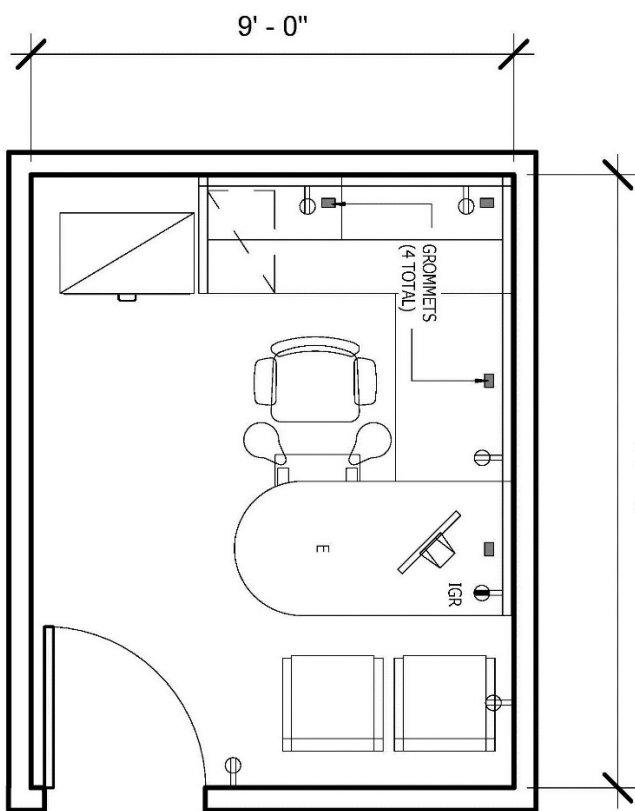
(1) DATA CONNECTIONS
 (1) TELEPHONE CONNECTIONS

LIGHTING

8 LINEAR FEET OF TASK LIGHTING BELOW
 OVERHEAD STORAGE



WORKSTATION E



PLAN

SCALE $\frac{1}{4}'' = 1'-0''$

SIZE

+/- 100 SQUARE FEET

POSITION

SECTION CHIEF

HIGH LEVEL PROFESSIONAL

GRADES 12-13

PROBATION OFFICER (ALL GRADE LEVELS)

DESCRIPTION

13 LINEAR FEET OF WOOD TRIM WORK SURFACE

5.5 LINEAR FEET OF OVERHEAD STORAGE

16 LINEAR FEET OF METAL FILING

ERGONOMIC MID-BACK DESK CHAIR

(2) UPHOLSTERED WOOD FRAME GUEST CHAIRS

POWER REQUIREMENTS

(4) CONVENIENCE DUPLEX OUTLETS

(1) ISOLATED GROUND DUPLEX OUTLET FOR COMPUTER EQUIPMENT

(1) DUPLEX OUTLET FOR TASK LIGHT

DATA/TELECOM

(1) DATA CONNECTIONS

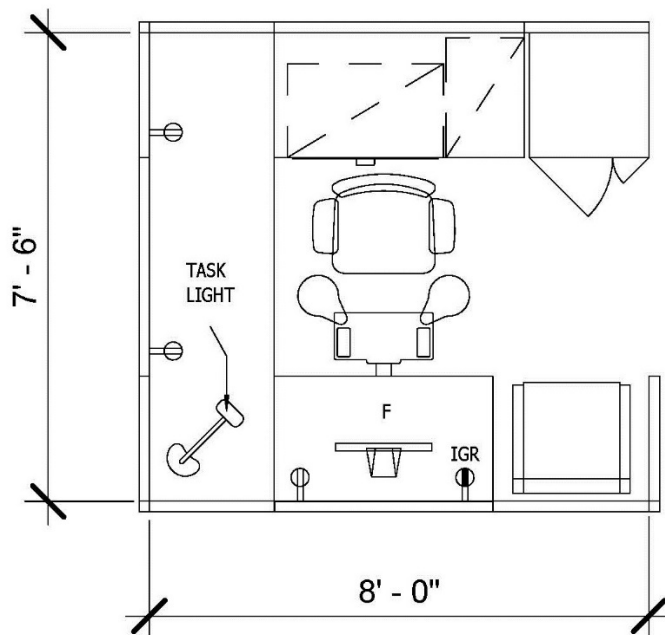
(1) TELEPHONE CONNECTIONS

LIGHTING

5.5 LINEAR FEET OF TASK LIGHTING BELOW OVERHEAD STORAGE



WORKSTATION F



PLAN

SCALE $\frac{1}{4}'' = 1'-0''$

SIZE

+/- 60 SQUARE FEET

POSITION

NON-SUPERVISORY PROFESSIONAL
GRADES 9-11

DESCRIPTION

14.5 LINEAR FEET OF PLASTIC LAMINATE
WORK SURFACE
9 LINEAR FEET OF METAL FILING
ERGONOMIC MID-BACK DESK CHAIR
(1) UPHOLSTERED STACKING GUEST CHAIRS

POWER REQUIREMENTS

(2) CONVENIENCE DUPLEX OUTLETS
(1) ISOLATED GROUND DUPLEX OUTLET FOR
COMPUTER EQUIPMENT
(1) DUPLEX OUTLET FOR TASK LIGHT

DATA/TELECOM

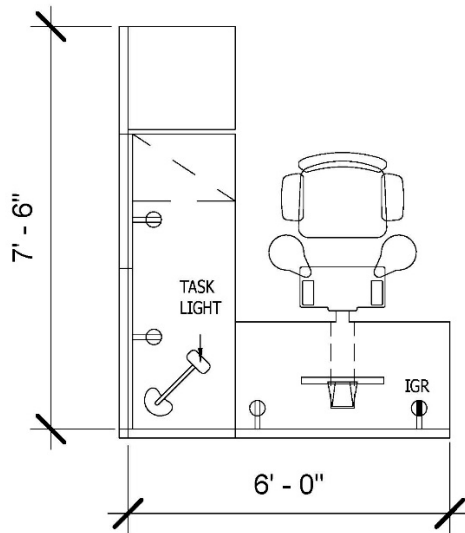
(1) DATA CONNECTIONS
(1) TELEPHONE CONNECTIONS

LIGHTING

SURFACE MOUNTED TASK LIGHT WITH
OCCUPANCY SENSOR



WORKSTATION G

PLANSCALE $\frac{1}{4}'' = 1'-0''$ SIZE

+/- 45 SQUARE FEET

POSITION

CLERICAL

GRADES 6-8

DESCRIPTION

10 LINEAR FEET OF LAMINATE WORK SURFACE

3 LINEAR FEET OF METAL FILING

STORAGE TOWER

ERGONOMIC MID-BACK DESK CHAIR

POWER REQUIREMENTS

(2) CONVENIENCE DUPLEX OUTLETS

(1) ISOLATED GROUND DUPLEX OUTLET FOR
COMPUTER EQUIPMENT

(1) DUPLEX OUTLET FOR TASK LIGHT

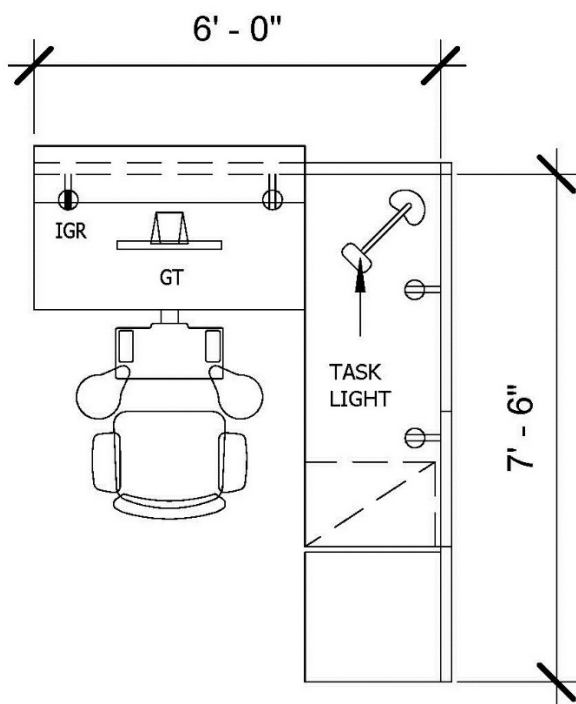
DATA/TELECOM

(1) DATA CONNECTIONS

(1) TELEPHONE CONNECTIONS

LIGHTINGSURFACE MOUNTED TASK LIGHT WITH
OCCUPANCY SENSOR

WORKSTATION GT



PLAN

SCALE $\frac{1}{4}'' = 1'-0''$

SIZE

+/- 45 SQUARE FEET

POSITION

CLERICAL
GRADES 6-8

DESCRIPTION

10 LINEAR FEET OF LAMINATE WORK SURFACE
3 LINEAR FEET OF METAL FILING
STORAGE TOWER
ERGONOMIC MID-BACK DESK CHAIR
4 LINEAR FEET OF TRANSACTION COUNTER

POWER REQUIREMENTS

(2) CONVENIENCE DUPLEX OUTLETS
(1) ISOLATED GROUND DUPLEX OUTLET FOR
COMPUTER EQUIPMENT
(1) DUPLEX OUTLET FOR TASK LIGHT

DATA/TELECOM

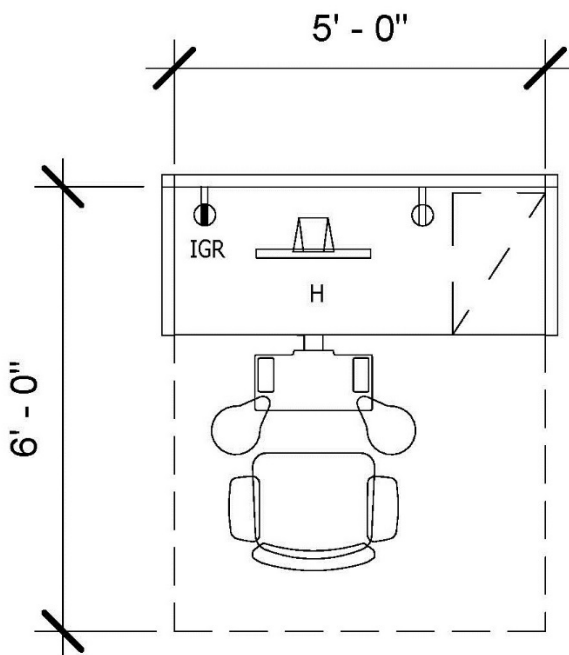
(1) DATA CONNECTIONS
(1) TELEPHONE CONNECTIONS

LIGHTING

SURFACE MOUNTED TASK LIGHT WITH
OCCUPANCY SENSOR



WORKSTATION H



PLAN

SCALE $\frac{1}{4}'' = 1'-0''$

SIZE

+/- 30 SQUARE FEET

POSITION

INTERN OR CONTRACTOR

DESCRIPTION

3.5 LINEAR FEET OF LAMINATE WORK SURFACE
 2 LINEAR FEET OF METAL FILING
 ERGONOMIC DESK CHAIR

POWER REQUIREMENTS

(1) CONVENIENCE DUPLEX OUTLET
 (1) ISOLATED GROUND DUPLEX OUTLET FOR
 COMPUTER EQUIPMENT

DATA/TELECOM

(1) DATA CONNECTIONS
 (1) TELEPHONE CONNECTIONS



B. Systems Furniture

I. Componentry Standards

Haworth Places systems furniture has been selected for all open office areas for the District of Columbia Courts campus. All panels are 56" high fabric covered with standard acoustical quality and wood top cap unless otherwise noted. The three circuit power system has been selected. The standard systems finishes are:

Wood:	Haworth – Heritage Cherry VC-W30
Fabric Panels:	Fabric – Tatami, Jute W5-5 Trim – Gray Tone TR-G Wood Top Cap – Heritage Cherry VC-W30
Fabric Finish Posts:	Fabric – Tatami, Jute W5-5 Trim – Gray Tone TR-G
End of Run Rails:	Wood – Heritage Cherry VC-W30 Trim – Gray Tone TR-G
Valet:	Trim/Finish – Gray Tone TR-G
Wire Channel:	Trim/Finish – Gray Tone TR-G
Power Receptacles:	Trim/Finish – Gray Tone TR-G
Shelves:	Painted Shelf – Putty TR-AA Trim – Putty TR-AA
Shelf Dividers:	Trim/Finish – Putty TR-AA
Flipper Doors:	Laminate Door – Putty TR-AA Trim – Putty TR-AA
Tackboards:	Biscotti, Pesto FN-AD
Lateral Files:	Trim/Finish – Gray Tone TR-G
Drawer Pedestals:	Trim/Finish – Gray Tone TR-G
Worksurfaces:	F, G and H Workstations: Laminate – Putty H-AA Trim – Putty TR-AA Bracket Trim – Gray Tone TR-G Gt Workstations: Transaction Counter – Laminate – Putty H-AA

Worksurfaces (cont'd):	E Workstations: Laminate – Putty H-AA Trim – Heritage Cherry VC-W30 Bracket Trim – Gray Tone TR-G Flipper Door Units to have Wood Trim C and D Workstations: Worksurface – Heritage Cherry VC-W30 Trim – Heritage Cherry VC-W30 Bracket Trim – Gray Tone TR-G
Accessories:	Task Lights: F and G Stations - Workrite Astra with occupancy sensors C, D and E Offices - Workrite CIGLIO AST – SGMT Secure Grommet Keyboard Trays – Ergo Systems Inc. # J.20.S Jitterbug Keyboard Support w/Gel Palm Rest on Standard Platform #ECI-7BA-EC
Grommets:	Trim/Finish – Black TR-F
WS Support Panels:	Laminate – Gray Tone TR-G
Kinetics 450 Series Tables:	Top - Laminate – Putty H-AA Base - Gray Tone TR-G (Open office areas)
Places Freestanding Casegoods:	Top - Laminate – Putty H-AA Base: Gray Tone TR-G

*Note: All wood systems furniture products and trim are to be Heritage Cherry VC-W30

Other

Item Code: **BED-1**

Name: Exam Room Bed
 Manufacturer: Basic American Medical Products
 Product Name: Exam Room Bed
 Product Number: AF4100
 Description: EXACT SPEC AND ACCESSORIES SHALL BE VERIFIED AND CONFIRMED BY END USERS



Finish / Color: To Be Confirmed
 Dimensions: To Be Confirmed
 Weight:
 Construction:

Image shown may differ from actual product appearance depending on specified configuration.

GSA Furn.Code

Contract #

Expires:

Notes:

Location	Room #	Name	Quantity
	C03	Exam Room	1
	C04	Lactation Room	1
	C05	Exam Room	1
		Total Quantity	3

Casegoods

Item Code: **D-953**

Name: Desk Shell
Manufacturer: Haworth
Product Name: X Series
Product Number: JDSL-2448-JFFSDS
Description: P-Lam Top - Shell



Finish / Color: Top: Wilsonart #4746-60, Bullnose Edge TR-AA Putty, Base: TR Gray Tone
Dimensions: 48"w x 24"d x 29"h
Weight:
Construction:

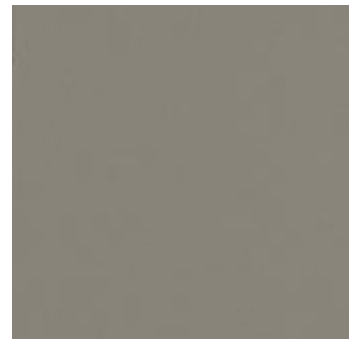
Image shown may differ from actual product appearance depending on specified configuration.

GSA Furn.Code
Contract #
Expires:

Notes:

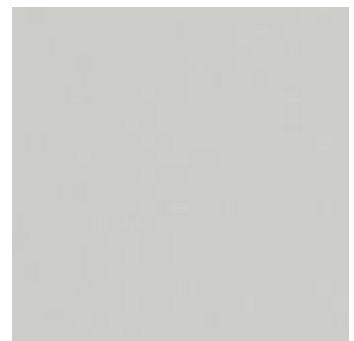
Finish / Veneer: **Gray Tone**
Manufacturer: **Haworth**
Construction:
Content:
Backing:

Product: **SurfaceCollection**
Number: **TR-G**
Color: **Gray Tone**
Width:
Repeat:
Weight:



Finish / Veneer: **P-Lam - Table**
Manufacturer: **Haworth**
Construction:
Content:
Backing:

Product: **Surface Collection**
Number: **H-AA**
Color: **Putty**
Width:
Repeat:
Weight:



Casegoods

Item Code: **D-953**

Finish / Veneer:	P-Lam - Training Table	Product:	Surface Collection
Manufacturer:	Haworth	Number:	H-21
Construction:		Color:	White Spex
Content:		Width:	
Backing:		Repeat:	
		Weight:	



Location	Room #	Name	Quantity
	C03	Exam Room	1
	C04	Lactation Room	1
	C05	Exam Room	1
		Total Quantity	<u>3</u>

Components and Panels

Item Code: **E**

Name: Workstation - E
 Manufacturer: Haworth
 Product Name: Places
 Product Number: See Drawings
 Description: Workstation typicals
 Modifications are noted with a numeral
 Position:
 Section Chief
 High Level Professional
 Grade 12-13
 Finish / Color: P-Lam w/ Wood Trim
 Dimensions: 8.5' x 9' (100 Sq. Ft.+/- Close Office)
 Weight:
 Construction: Panel Supported Systems furniture
 Installation: Panels, Demountables, Gyp. Board.



Image shown may differ from actual product appearance depending on specified configuration.

GSA Furn.Code
 Contract #
 Expires:

Notes:

Location	Room #	Name	Quantity
	C09	Office	1
		Total Quantity	1

Tables

Item Code: **E-320.2**

Name: Work Table
 Manufacturer: Haworth
 Product Name: 450 Series
 Product Number: 45XQ-3030-LE4SOA
 Description: Laminate Top
 Bullnose PVC Edge
 Kinkote X Base
 Finish / Color: Laminate Top: Wilsonart Woolamai Brush #4746-60, Bullnose
 Edge: TR-AA Putty, Base TR-G Gray Tone
 Dimensions: 30"w x 30"d x 29"h
 Weight:
 Construction: FSC Wood

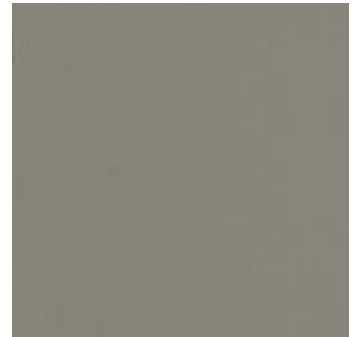


Image shown may differ from actual product appearance depending on specified configuration.

GSA Furn.Code
 Contract #
 Expires:

Notes:

Finish / Veneer: **Gray Tone**
 Manufacturer: **Haworth**
 Construction:
 Content:
 Backing:
 Product: **SurfaceCollection**
 Number: **TR-G**
 Color: **Gray Tone**
 Width:
 Repeat:
 Weight:



Finish / Veneer: **P-Lam - Pantry Table**
 Manufacturer: **Wilsonart International**
 Construction:
 Content:
 Backing:
 Product: **High Pressure Laminate**
 Number: **4746**
 Color: **Woolami Brush**
 Width:
 Repeat:
 Weight:



Tables

Item Code: **E-320.2**

Finish / Veneer:	P-Lam - Table	Product:	Surface Collection
Manufacturer:	Haworth	Number:	H-AA
Construction:		Color:	Putty
Content:		Width:	
Backing:		Repeat:	
		Weight:	



Location	Room #	Name	Quantity
	C06	Pantry	1
		Total Quantity	1

Tables

Item Code: **E-409**

Name: Occasional Table - Reception (Round)
 Manufacturer: Krug
 Product Name: Pacifica Collection
 Product Number: 5521-18D-21
 Description: Napa Round Occasional Table
 Veneer Top (Book Match)



Image shown may differ from actual product appearance depending on specified configuration.

Finish / Color: Walnut on Maple
 Dimensions: 18" Dia. x 21"h
 Weight: 27 lbs
 Construction: FSC Wood

GSA Furn.Code
 Contract #
 Expires:

Notes:

Finish / Veneer: Stain - Krug	Product: Regular Walnut
Manufacturer: Krug	Number: Regular Walnut
Construction:	Color: Regular Walnut
Content:	Width:
Backing:	Repeat:
	Weight:



Location	Room #	Name	Quantity
	C01	Waiting Room	<u>2</u>
		Total Quantity	<u>2</u>

Files & Shelving

Item Code: **F-5-30**

Name: Lateral File - 5 Drawer
 Manufacturer: Haworth
 Product Name: X -Series
 Product Number: JLRD-0530-S
 Description: X - Series Lateral File
 5 Drawer
 Integral Pull



Finish / Color: Grey Tone TR-G
 Dimensions: 30"w x 18"d x 63.5"h
 Weight:
 Construction: Metal

Image shown may differ from actual product appearance depending on specified configuration.

GSA Furn.Code

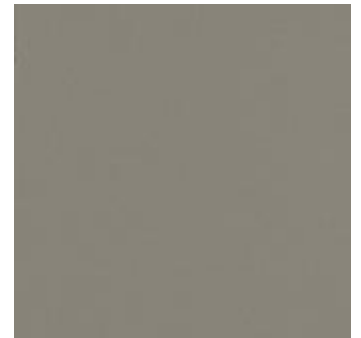
Contract #

Expires:

Notes:

Finish / Veneer: **Gray Tone**
 Manufacturer: **Haworth**
 Construction:
 Content:
 Backing:

Product: **SurfaceCollection**
 Number: **TR-G**
 Color: **Gray Tone**
 Width:
 Repeat:
 Weight:



Location	Room #	Name	Quantity
	C08	Supply Storage	2
	C09	Office	1
		Total Quantity	<u>3</u>

Files & Shelving

Item Code: **F-5-36**

Name: Lateral File - 5 Drawer
 Manufacturer: Haworth
 Product Name: X - Series
 Product Number: JLRD-0536-S
 Description: X - Series Lateral File
 5 Drawer
 Integral Pull



Finish / Color: Grey Tone TR-G
 Dimensions: 36"w x 18"d x 63.5"h
 Weight:
 Construction: Metal

Image shown may differ from actual product appearance depending on specified configuration.

GSA Furn.Code

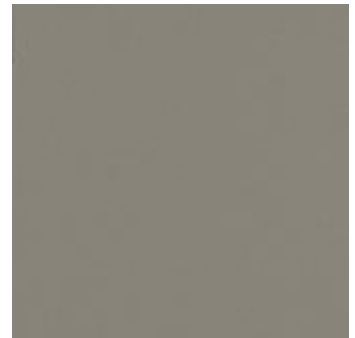
Contract #

Expires:

Notes:

Finish / Veneer: **Gray Tone**
 Manufacturer: **Haworth**
 Construction:
 Content:
 Backing:

Product: **SurfaceCollection**
 Number: **TR-G**
 Color: **Gray Tone**
 Width:
 Repeat:
 Weight:



Location	Room #	Name	Quantity
	C10	Corridor	1
		Total Quantity	1

Components and Panels

Item Code: **G**

Name: Workstation - G
 Manufacturer: Haworth
 Product Name: Places
 Product Number: See Drawings
 Description: Workstation typicals
 Modifications are noted with a numeral
 Position: Clerical
 Finish / Color: P-Lam
 Dimensions: 7.5' x 6' (45 Sq. Ft.)
 Weight:
 Construction: Panel Supported Systems furniture
 Installation: Panels, Demountables, Gyp. Board.



Image shown may differ from actual product appearance depending on specified configuration.

GSA Furn.Code

Contract #

Expires:

Notes:

Location	Room #	Name	Quantity
	C02	Open Office	2
		Total Quantity	2

Seating

Item Code: **G-1131A**

Name: Task Chair - F, G & H Stations

Manufacturer: Haworth

Product Name: Zody

Product Number: #SZT-20-721 MA 1

Description: Mid-back
Pneumatic Height Adjustment
Tilt Tension
Seat Pan Depth Adjustment
4 D Adjustable Arms
PAL Back System

Finish / Color: Seat Upholstery: Momentum Silica, Color: Myth, Mesh Back: Color #MA-001

Dimensions: 29"w x 29"d x 38" - 43"h

Weight:

Construction:



Image shown may differ from actual product appearance depending on specified configuration.

GSA Furn.Code

Contract #

Expires:

Notes:

Upholstery: **G-1131A Seat**

Manufacturer: Momentum Group

Construction:

Content:

Backing:

Product: Silica

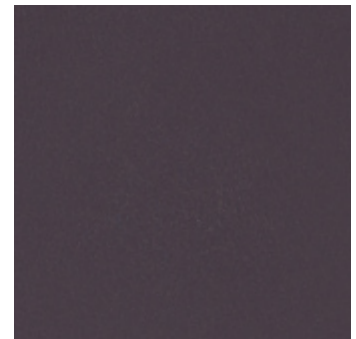
Number:

Color: Myth

Width:

Repeat:

Weight:

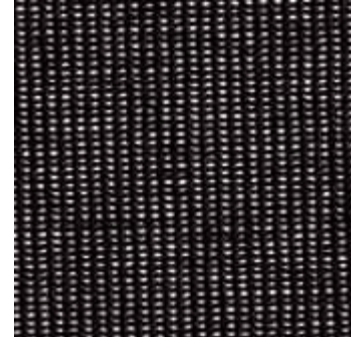


Seating

Item Code: **G-1131A**

Upholstery: **G-1133 - Back**
 Manufacturer: **Haworth**
 Construction:
 Content:
 Backing:

Product: **Mesh**
 Number: **MA-1**
 Color: **MA-1**
 Width:
 Repeat:
 Weight:



Location	Room #	Name	Quantity
	C02	Open Office	3
	C03	Exam Room	1
	C04	Lactation Room	1
	C05	Exam Room	1
		Total Quantity	6

Seating

Item Code: **G-1134A**

Name: Task Chair - E Stations
 Manufacturer: Haworth
 Product Name: Zody
 Product Number: SZT-20-721 MA 1
 Description: Mid-Back
 Pneumatic Height Adjustment
 Tilt Tension
 Seat Pan Depth Adjustment
 4 D Adjustable Arms
 PAL Back System
 Finish / Color: Upholstery: Momentum Silica Myth, Mesh Back: #MA-1 Support
 Dimensions: 29"w x 29"d x 38" - 43"h
 Weight:
 Construction:

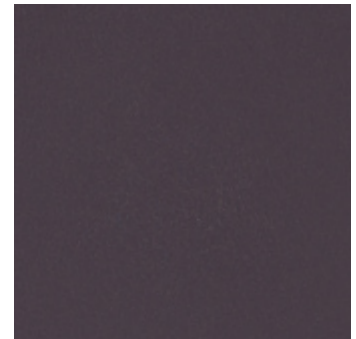


Image shown may differ from actual product appearance depending on specified configuration.

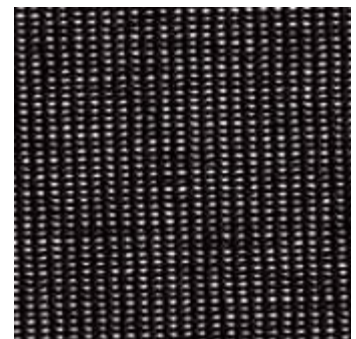
GSA Furn.Code
 Contract #
 Expires:

Notes:

Upholstery: G-1131A Seat	Product: Silica
Manufacturer: Momentum Group	Number:
Construction:	Color: Myth
Content:	Width:
Backing:	Repeat:
	Weight:



Upholstery: G-1133 - Back	Product: Mesh
Manufacturer: Haworth	Number: MA-1
Construction:	Color: MA-1
Content:	Width:
Backing:	Repeat:
	Weight:



Seating

Item Code: **G-1134A**

Location	Room #	Name	Quantity
	C09	Office	1
		Total Quantity	<u>1</u>

Seating

Item Code: **G-1302A**

Name: Guest Chair - E Stations
 Manufacturer: Haworth
 Product Name: Composites
 Product Number: #4245-00
 Description: Wood Frame w/ Arc Arm Detail
 Upholstered seat
 Slat Back detail



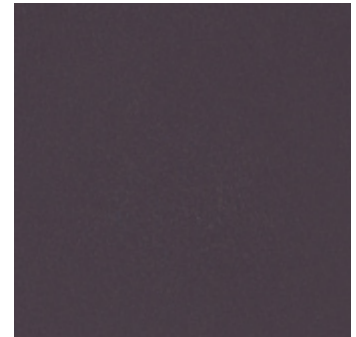
Finish / Color: Upholstery: Momentum Silica Myth, Wood Finish Heritage Cherry VC-W30
 Dimensions: 22"w x 23"d x 33.75"h
 Weight:
 Construction: FSC Wood

Image shown may differ from actual product appearance depending on specified configuration.

GSA Furn.Code
 Contract #
 Expires:

Notes:

Upholstery: **G-1131A Seat** Product: Silica
 Manufacturer: Momentum Group Number:
 Construction: Color: Myth
 Content: Width:
 Backing: Repeat:
 Weight:



Location	Room #	Name	Quantity
	C09	Office	2
		Total Quantity	2

Seating

Item Code: **G-1311A**

Name: Guest Chair - Reception
 Manufacturer: Haworth
 Product Name: Composites
 Product Number: #4045-00
 Description: Wood Frame w/ Arc Arm Detail
 Upholstered seat and back
 2 Tone Upholstery



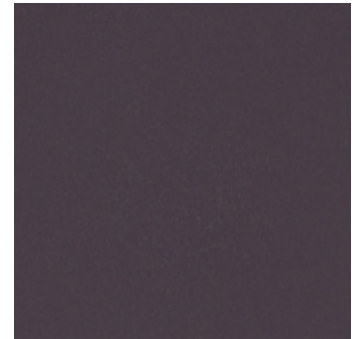
Finish / Color: Upholstery: Momentum Silica, Color: Myth, Wood Frame: Heritage Cherry VC-W30
 Dimensions: 22.5"w x 23"d x 33.75"h
 Weight:
 Construction: FSC Wood

Image shown may differ from actual product appearance depending on specified configuration.

GSA Furn.Code
 Contract #
 Expires:

Notes:

Upholstery: **G-1311A Seat** Product: Silica
 Manufacturer: Momentum Group Number:
 Construction: Color: Myth
 Content: Width:
 Backing: Repeat:
 Weight:



Location	Room #	Name	Quantity
	C01	Waiting Room	5
		Total Quantity	5

Seating

Item Code: **G-1505B**

Name: Conference Chair - Perimeter Stack Chair
 Manufacturer: Haworth
 Product Name: Improv Series
 Product Number: #M600-2210M
 Description: Stack Chair w/ Arms
 Fully Upholstered
 Non-ganging
 Finish / Color: Upholstery: Momentum Silica, Color: Myth, Trim: TR-F Black
 Dimensions: 22"w x 21"d x 32"h
 Weight:
 Construction:



Image shown may differ from actual product appearance depending on specified configuration.

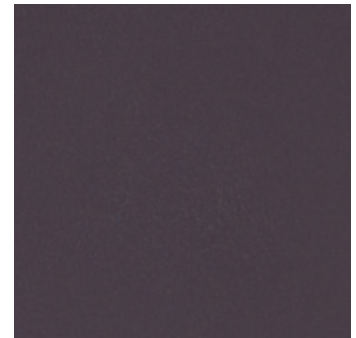
GSA Furn.Code

Contract #

Expires:

Notes:

Upholstery: **G-1131A Seat** Product: **Silica**
 Manufacturer: **Momentum Group** Number:
 Construction: Color: **Myth**
 Content: Width:
 Backing: Repeat:
 Weight:



Location	Room #	Name	Quantity
	C03	Exam Room	1
	C04	Lactation Room	1
	C05	Exam Room	1
		Total Quantity	<u>3</u>

Seating

Item Code: **G-901**

Name: Break Room Chair
 Manufacturer: Haworth
 Product Name: Very
 Product Number: SCS-44-0H
 Description: Armless
 Polymer Seat and Back
 Perforated Back
 Plastic Glides
 Finish / Color: Color: Slate TR-FJ
 Dimensions: 22.5"w x 22"d x 34"h (18.2"SH)
 Weight:
 Construction:



Image shown may differ from actual product appearance depending on specified configuration.

GSA Furn.Code
 Contract #
 Expires:

Notes:

Finish / Veneer: **Poly - Very - Slate** Product: **Slate**
 Manufacturer: **Haworth** Number: **TR-FJ**
 Construction: Color: **Slate**
 Content: Width:
 Backing: Repeat:
 Weight:



Location	Room #	Name	Quantity
	C06	Pantry	2
		Total Quantity	2

Components and Panels

Item Code: **H**

Name: Workstation - H
 Manufacturer: Haworth
 Product Name: Places
 Product Number: See Drawings
 Description: Workstation typicals
 Modifications are noted with a numeral
 Position: Intern / Contractor
 Finish / Color: P-Lam
 Dimensions: 6' x 5' (30 Sq. Ft.)
 Weight:
 Construction: Panel Supported Systems furniture
 Installation: Panels, Demountables, Gyp. Board.



Image shown may differ from actual product appearance depending on specified configuration.

GSA Furn.Code

Contract #

Expires:

Notes:

Location	Room #	Name	Quantity
	C02	Open Office	1
		Total Quantity	1

Room Number: C01	Room Type:	Department:		
Room Name: Waiting Room	CIng. Ht.:	Building:		
	Dims:	Location:		
		Phase:		
Contents:	Manufacturer	Product	Quantity	
E-409	Occasional Table - Reception (Round)	Krug	Pacifica Collection	2
G-1311A	Guest Chair - Reception	Haworth	Composites	5
Room Total				7

Room Number: C02	Room Type:	Department:		
Room Name: Open Office	CIng. Ht.:	Building:		
	Dims:	Location:		
		Phase:		
Contents:	Manufacturer	Product	Quantity	
G	Workstation - G	Haworth	Places	2
G-1131A	Task Chair - F, G & H Stations	Haworth	Zody	3
H	Workstation - H	Haworth	Places	1
Room Total				6

Room Number: C03	Room Type:	Department:		
Room Name: Exam Room	CIng. Ht.:	Building:		
	Dims:	Location:		
		Phase:		
Contents:	Manufacturer	Product	Quantity	
BED-1	Exam Room Bed	Basic American Medical Products	Exam Room Bed	1
D-953	Desk Shell	Haworth	X Series	1
G-1131A	Task Chair - F, G & H Stations	Haworth	Zody	1
G-1505B	Conference Chair - Perimeter Stack Chair	Haworth	Improv Series	1
Room Total				4

Room Number: C04	Room Type:	Department:
Room Name: Lactation Room	Cing. Ht.:	Building:
	Dims:	Location:
		Phase:

Contents:	Manufacturer	Product	Quantity
BED-1 Exam Room Bed	Basic American Medical Products	Exam Room Bed	1
D-953 Desk Shell	Haworth	X Series	1
G-1131A Task Chair - F, G & H Stations	Haworth	Zody	1
G-1505B Conference Chair - Perimeter Stack Chair	Haworth	Improv Series	1
Room Total			4

Room Number: C05	Room Type:	Department:
Room Name: Exam Room	Cing. Ht.:	Building:
	Dims:	Location:
		Phase:

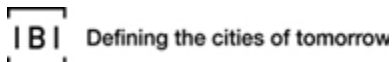
Contents:	Manufacturer	Product	Quantity
BED-1 Exam Room Bed	Basic American Medical Products	Exam Room Bed	1
D-953 Desk Shell	Haworth	X Series	1
G-1131A Task Chair - F, G & H Stations	Haworth	Zody	1
G-1505B Conference Chair - Perimeter Stack Chair	Haworth	Improv Series	1
Room Total			4

Room Number: C06	Room Type:	Department:
Room Name: Pantry	Cing. Ht.:	Building:
	Dims:	Location:
		Phase:

Contents:	Manufacturer	Product	Quantity
E-320.2 Work Table	Haworth	450 Series	1
G-901 Break Room Chair	Haworth	Very	2
Room Total			3

Room Number: C08	Room Type:	Department:
Room Name: Supply Storage	Cing. Ht.:	Building:
	Dims:	Location:
		Phase:

Contents:	Manufacturer	Product	Quantity
F-5-30 Lateral File - 5 Drawer	Haworth	X -Series	2
Room Total			2



Vendor is responsible for verifying product & item code; options, finishes, compatibility & quantities on specifications prior to placing orders, and re-verifying prior to installation.

ISSUED FOR REVIEW

12/08/2016

Page 2 of 3

Room Number: C09	Room Type:	Department:	
Room Name: Office	CIng. Ht.:	Building:	
	Dims:	Location:	
		Phase:	

Contents:	Manufacturer	Product	Quantity
E Workstation - E	Haworth	Places	1
F-5-30 Lateral File - 5 Drawer	Haworth	X -Series	1
G-1134A Task Chair - E Stations	Haworth	Zody	1
G-1302A Guest Chair - E Stations	Haworth	Composites	2
Room Total			5

Room Number: C10	Room Type:	Department:	
Room Name: Coridoor	CIng. Ht.:	Building:	
	Dims:	Location:	
		Phase:	

Contents:	Manufacturer	Product	Quantity
F-5-36 Lateral File - 5 Drawer	Haworth	X - Series	1
Room Total			1